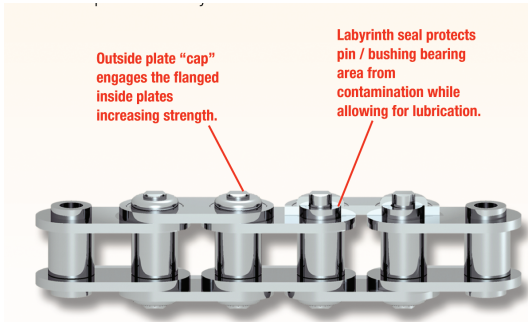


Stainless Steel Mega Chain



The original "High Strength" Stainless Steel chain . . .

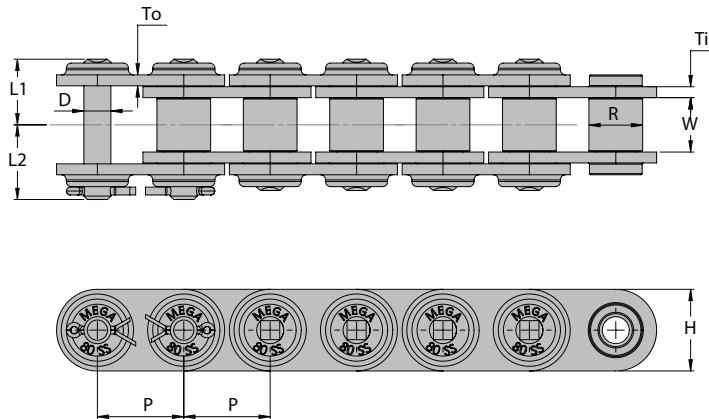
Maxco Chains stainless steel mega chains possess the ultimate strength of ANSI/ASME standard carbon steel chains and the corrosion and heat resistance of 304 stainless steel chains. The unique design offers high strength and improved wear resistance over conventional stainless steel roller chains. In addition, the labyrinth seal design helps prevent the penetration of abrasives into the chain joint, further improving wear performance in challenging applications.

MEGA CHAIN CONSTRUCTION



ALL PARTS ARE MADE FROM AISI 304 AUSTENETIC STAINLESS STEEL FOR EXCELLENT HEAT AND CORROSION RESISTANCE.

- Strength of Carbon Steel
- Resistance of Stainless Steel



Chain Dimensions - Single Strand

MAXCO Chain Number	Units	Chain Pitch P	Roller		Pin			Side Plate		Average Ultimate Strength Lbs Kg-f	Rated Working Load Lbs Kg-f	Average Chain Weight Lbs/ft Kg/m
			Dia R	Inside Width W	Dia D	Length Lr Lc		Height H	Thick. Ti/To			
40SS-MEGA	inch	0.500	0.312	0.313	0.156	0.38	0.45	0.472	0.060	3,960	155	0.51
	mm	12.70	7.92	7.95	3.96	9.7	11.6	12.0	1.5	1,800	70	0.76
50SS-MEGA	inch	0.625	0.400	0.375	0.200	0.48	0.56	0.591	0.080	7,040	265	0.87
	mm	15.875	10.16	9.53	5.08	12.2	14.3	15.0	2.0	3,200	120	1.30
60SS-MEGA	inch	0.750	0.469	0.500	0.234	0.60	0.69	0.712	2.35	9,680	365	1.28
	mm	19.05	11.91	12.70	5.94	15.2	17.5	18.1	0.093	4,400	166	1.92