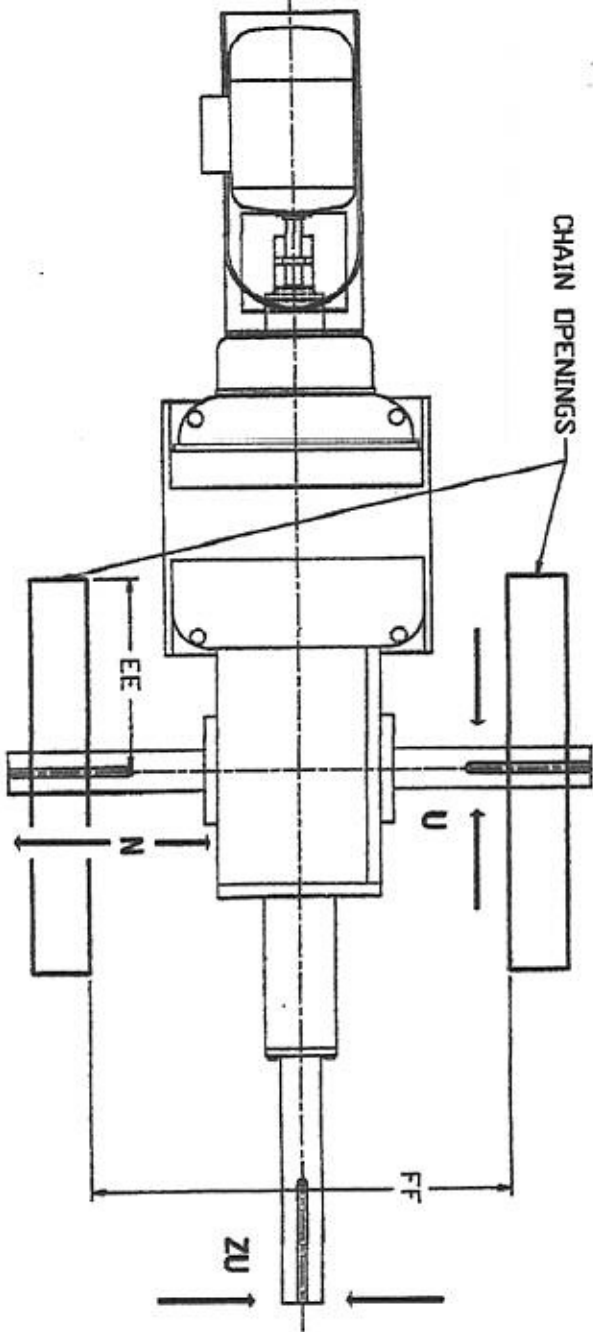


If you need help with dimensional inter-changeability from one brand unit to another, fill in the dimensions below.



TANK #	EE	FF
1		
2		
3		
4		
5		
6		
7		
8		
9		

U

ZU

N

Special Notes:

Existing Unit Information:

S/N

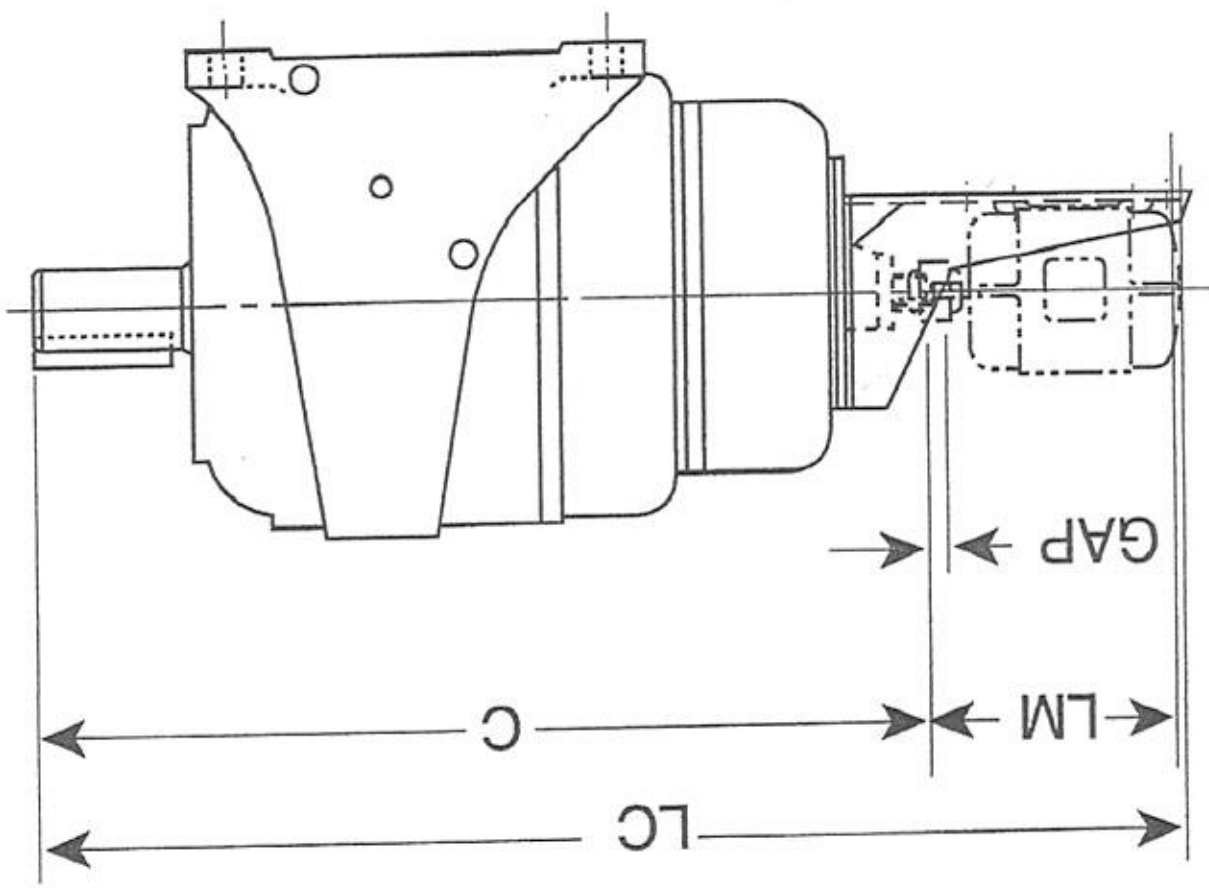
Model #

Torque #

Input RPM

Output RPM

Maxco Chain



TYPE L