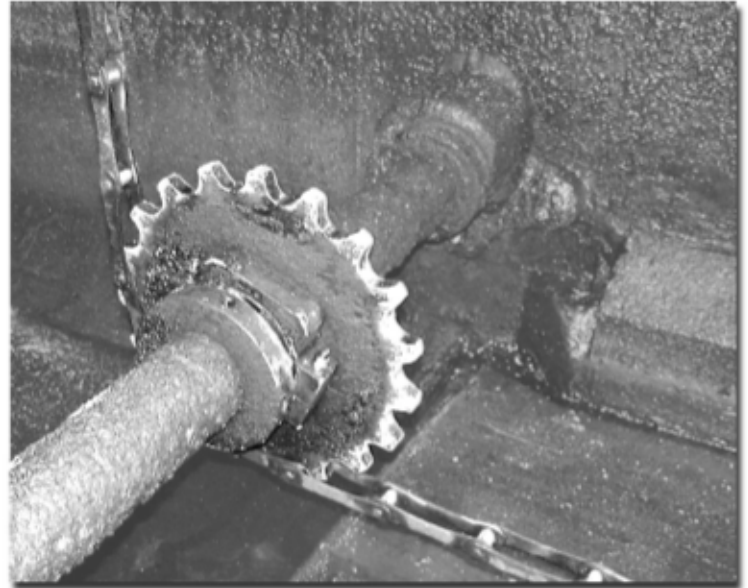


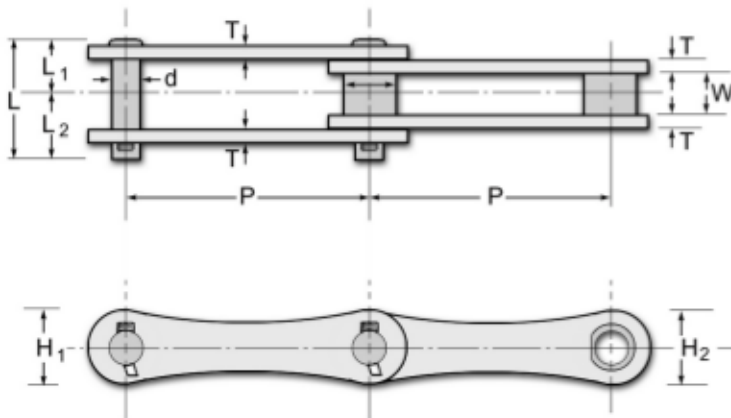
# SAV 715 Stainless Steel Chain



- Strong
- Lightweight
- 403 stainless steel



## SAV 715 Chain



SAV 715 Chain, the first stainless steel curved sidebar chain equivalent. Lightweight yet with a higher strength to weight ratio than cast chain SAV 715 is fabricated of 403 stainless steel and has been proven superior for high load applications and has readily available several common attachment link designs for Bar Screen and Grit Collector requirements.

The SAV 715 is the result of brilliant design and the application of unique metals technology providing a collector chain of unmatched service life and application potential for a wide range of service requirements. With over 3,000,000 feet of chain in service world wide and a typical service life measured in decades, the SAV 715 is the ideal chain for collector chain service.

### Dimensions and Strength of SAV 715 Chain

Chain No.	Pitch P (in.)	Average Ultimate Strength (lbs.)	Weight (lbs./ft.)	Barrel		Pin			Side Bars				
				Outside Dia. D	Width W	Dia. d	Length (in.)			Pin Link		Bushed Link	
							L	L <sub>1</sub>	L <sub>2</sub>	H <sub>1</sub>	T	H <sub>2</sub>	T
SAV 715	6.00	33,000	3.9	1.024	1 <sup>3</sup> / <sub>16</sub>	0.569	2 <sup>27</sup> / <sub>32</sub>	1 <sup>9</sup> / <sub>32</sub>	1 <sup>9</sup> / <sub>16</sub>	1 <sup>37</sup> / <sub>64</sub>	1 <sup>5</sup> / <sub>64</sub>	1 <sup>57</sup> / <sub>64</sub>	1 <sup>5</sup> / <sub>64</sub>



# SAV 715 Stainless Steel Chain

SAV 715 Chains are adaptable to a wide range of wastewater applications from rectangular clarifier to grit collection, bar screens, DAF, and API service. The SAV 715 handles the most demanding applications without problem. SAV chains feature a stainless steel "J" cotter for easy assembly of the chains.

Also available from Hitachi Maxco for SAV 715 chain is the Hybrid replaceable tooth sprocket. Hardened stainless steel teeth resists grit and other abrasives, yet the individual tooth sections are easily replaced and can be done with simple tools. The chain does not need to be broken apart to perform the task - less intrusive than having to replace entire sprockets or segments. Assembles with 316 stainless steel hardware.

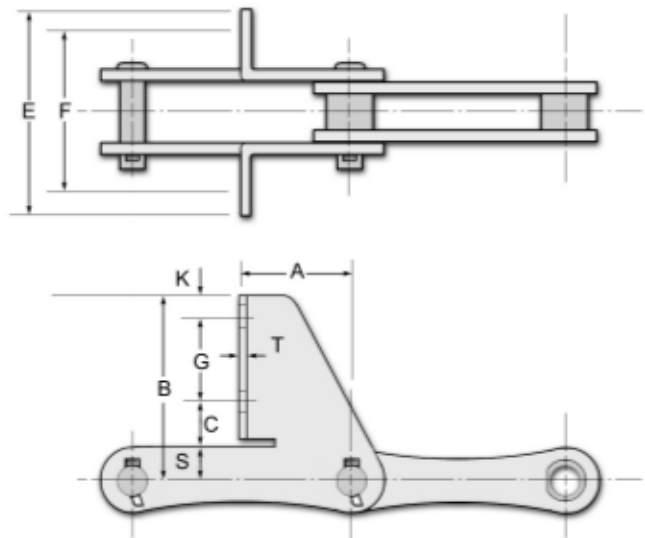


## SAV 715 Hybrid Sprocket



Replaceable Individual Teeth  
Hardened 410 Stainless  
Steel or Non-metallic Hub

## SAV 715 "F" Style Attachment Link



### Dimensions of SAV Stainless Steel Chain (F Attachment)

Attachment Part No.	Dimension										Attachment Nominal Weight (lbs./ea.)
	A	B	C	E	F	G	K	S	T	Ø	
F-226/715	3	6 <sup>7</sup> / <sub>64</sub>	1 1/2	5 1/2	3 <sup>3</sup> / <sub>4</sub>	2 <sup>5</sup> / <sub>8</sub>	1 <sup>3</sup> / <sub>32</sub>	57/64	15/64	7/16	4.5
F-228/715	3	7 <sup>7</sup> / <sub>8</sub>	1 <sup>31</sup> / <sub>64</sub>	5 1/2	3 <sup>3</sup> / <sub>4</sub>	4 1/2	1	57/64	15/64	7/16	5.4

also available with AM116, AD474, D-22, K2, A2, and A42 attachments.