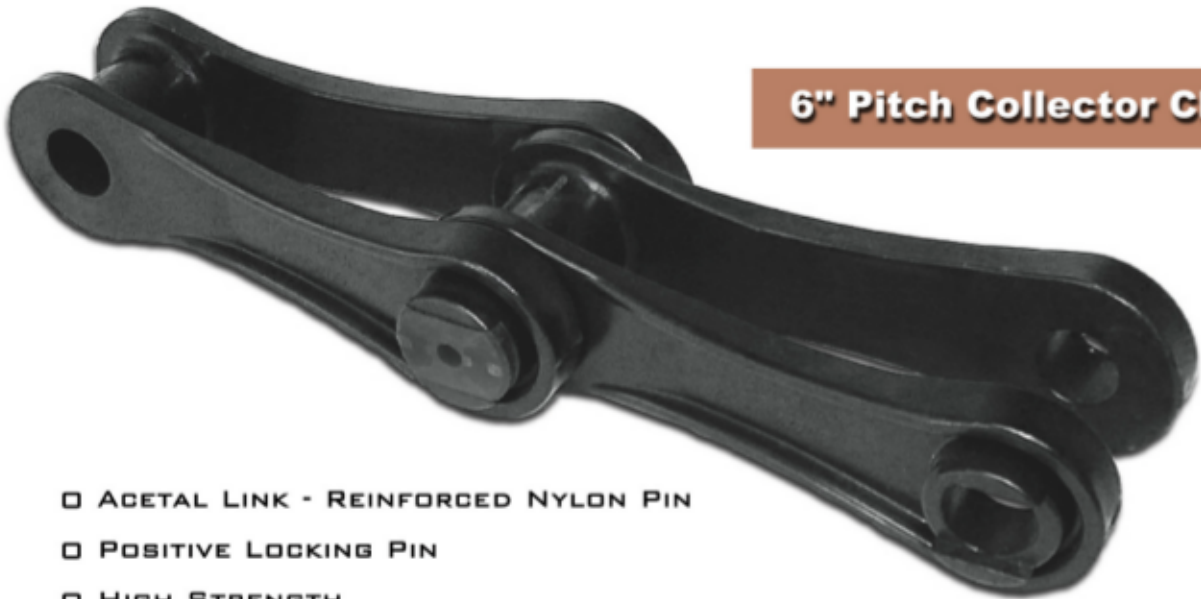


NM 720S Non-Metallic Chain



6" Pitch Collector Chain

- ACETAL LINK - REINFORCED NYLON PIN
- POSITIVE LOCKING PIN
- HIGH STRENGTH
- EXCELLENT UV RESISTANCE



6" Pitch NM 720S Collector Chain operates with any 720S sprockets and flights, ideal for replacement chains.

Hitachi Maxco's latest generation of non-metallic 6" pitch collector chain features extremely high strength and significant advances in durability for better service life and a broader range of application capability including DAF, Scum Concentrator and Grit collector service.

Easy to Retrofit - Interchangeable

Directly interchangeable with any 720 type chain, the NM 720S is ideal for retro-fit or rehab of existing clarifiers* Easily adaptable to Rectangular Clarifiers using 720 style components.

* non-metallic 720 chains are not interlaceable.

3,100 Lbs Working Load

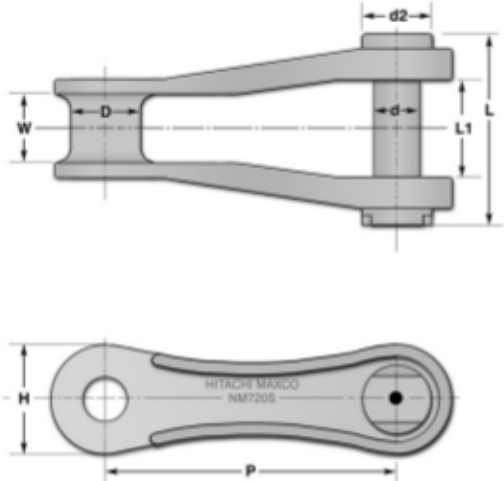
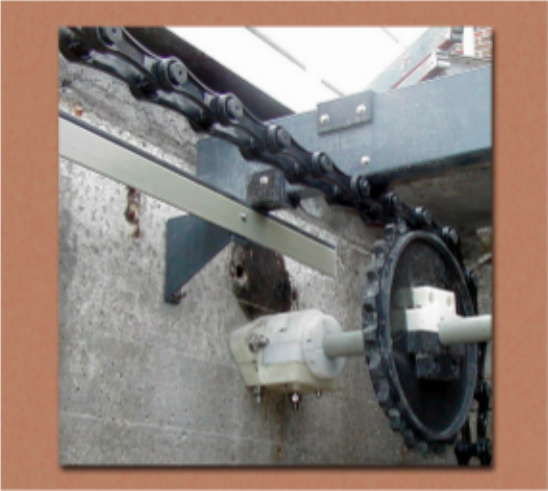
1.6 Lbs. per ft.

Snap Tight Pin - No Clips!

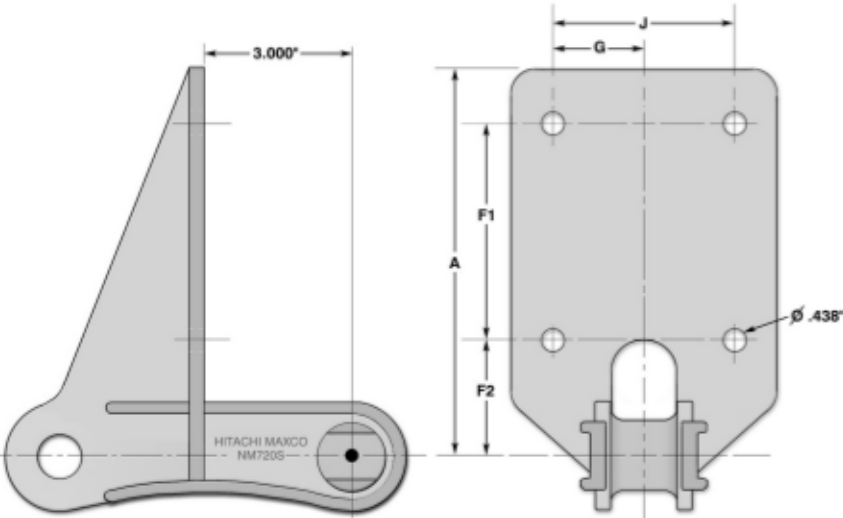
NM 720S Non-Metallic Chain

Technical Details

NM 720S Collector Chain



Chain No.	Pitch P (in.)	Working Load (lbs.)	Average Ultimate Strength (lbs.)	Weight (lbs./ft.)	Barrel		Pin		Link	Side Bar		
					Outside Dia. D (in.)	Width W (in.)	Outside Dia. d	Material	Length L (in.)	Material	Height H (in.)	Inside Width L1 (in.)
NM720S	6.000	3,100	6,500	1.6	1.438	1.375	.932	Glass Filled Nylon	3.892	Unfilled Acetal	2.250	2.016



Flight Attachments

NM 720S Chain is available with F-226 and F-228 Attachments. The Acetal resin resists breaking under torsional loading due to its lack of brittle characteristics, a common problem with Polyester or Glass Filled Chains. The flight attachments are also capable of handling high service loads and are ideal for use with the HMAX Standard, Hi-Strength, Extreme Duty FRP and HMAX Aluminum flights.

Flight Attachment Size	Height A (in.)	Dimension F1 (in.)	Dimension F2 (in.)	Dimension J (in.)	Dimension G (in.)
F-228	8.000	4.500	2.375	3.750	1.875
F-226	6.125	2.625	2.375	3.750	1.875