

Non-Metallic Shearpin Sprocket Assembly



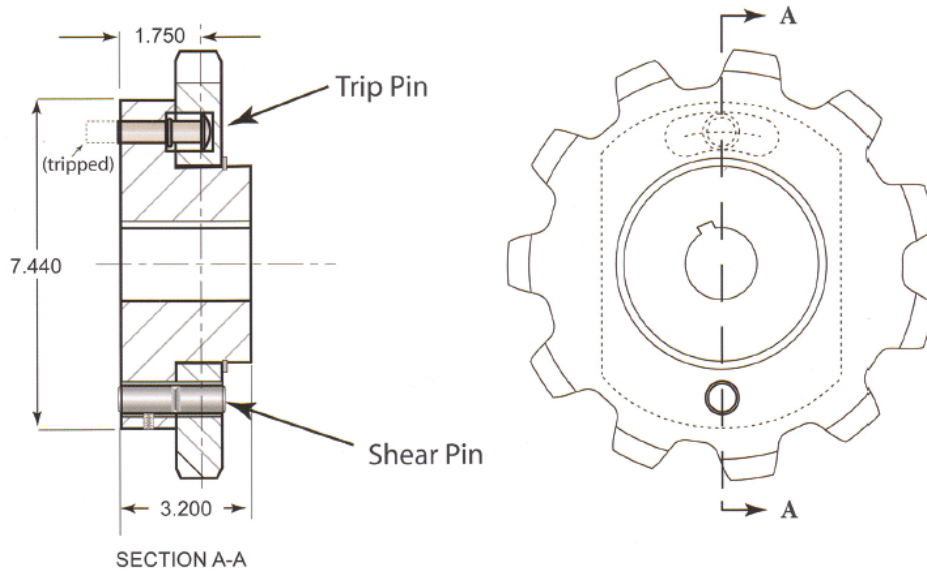
Stocked in 11 tooth configuration; other sizes also available. Key features:

- Urethane Hub
- Nylon 6 Teeth
- No Lubrication Required

Ideal for metallic and non-metallic chain.

Includes pop-out trip pin when shear pin has opened. The pop-out can be used with an optional limit switch to de-energize the motor and/or to activate an alarm.

Available in bore sizes ranging from 1" to 2-1/2" diameter. Available from inventory for fast delivery.



11 Tooth Non-Metallic Shear pin Sprocket with Trip Arm

Part Number	Material		Weight	Shearpin Material	Shearpin OA Dia
	Hub	Teeth			
NMSP	Cast 75D Urethane	Nylon 6	5.2 lbs	T-6 6061 Aluminum	5/8"

Specifications / Dimensions Subject to Change